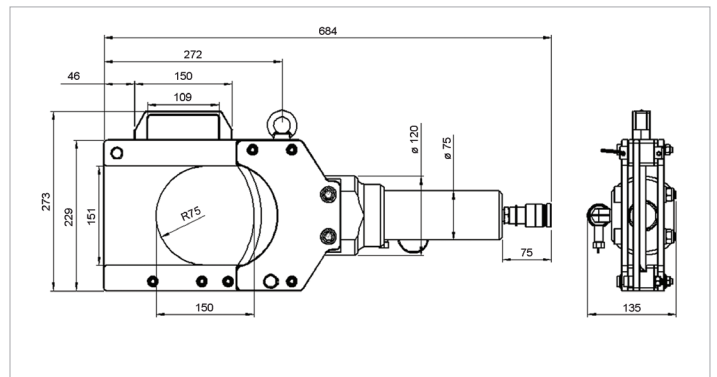


HCC 150 | Guillotine Cable Cutter

Specifications			
article number			100.522.150
model			HCC 150
max. working pressure	psi		10443
cutter type			guillotine
short description			Guillotine Cable Cutter
capacity	lbf		45771
max. jaw opening	in		5.9
capacity Ø ground cable	in		5.5
capacity Ø telephone cable	in		5.7
required oil content (effective)	oz		8.3
return type			hydraulic
weight, ready for use	lb		54.9
dimensions (LxWxH)	in		26.9 x 10.7 x 5.3



holmatro.com

© Holmatro 2025-09-29

While the greatest care has been devoted to the content, it is possible that the information in this printed matter is incorrect or incomplete. Holmatro B.V. and its affiliated companies (hereafter: Holmatro) cannot be held liable in any way for the consequences of activities undertaken on the basis of this printed matter. Values can vary within the manufacturer measurements. If you have any doubts about the correctness or completeness of the information, you shall contact Holmatro (T +31 (0)162-751480). Nothing from this printed matter can be copied and/or made public in any way without the explicit authorisation of Holmatro.