

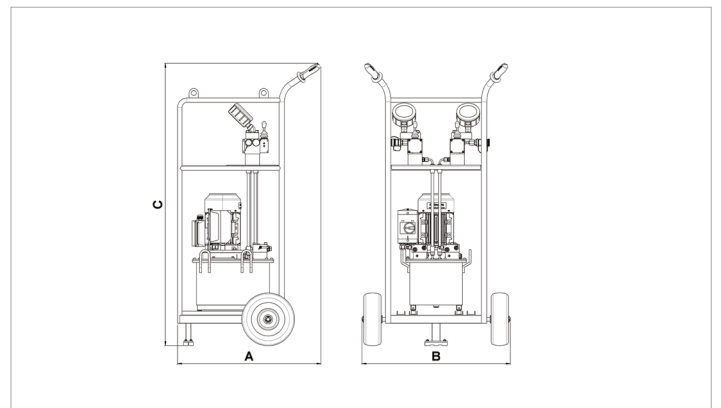
## Technical specification sheet

# 09 T 12 E + Trolley | Skidding Twin Pump

Specifications		
article number		100.152.220
model		09 T 12 E + Trolley
max. working pressure	bar/Mpa	720 / 72
short description		Skidding Twin Pump
capacity oil tank (effective)	cc	12000
number of outputs		2
number of stages		1
first stage output / min.	cc	900
first stage pressure range	bar/Mpa	0 - 720 / 0 - 72
operator type		electric motor
engine		400 VAC - 2.2 kW - 50 Hz - 3 Ph
speed	rpm	1450
weight, ready for use	kg	120.0
dimensions (LxWxH)	mm	700 x 730 x 1390
dimensions (AxBxC)	mm	700 x 730 x 1390

Technical drawing dimensions		
dimension A	mm	700
dimension B	mm	730
dimension C	mm	1390

Standard supplied with		
<ul style="list-style-type: none"> <li>• Double acting valves (2x)</li> <li>• Pressure gauges (2x)</li> <li>• Couplers</li> <li>• Pump Trolley</li> </ul>		



[holmatro.com](http://holmatro.com)

© Holmatro 2025-12-02

While the greatest care has been devoted to the content, it is possible that the information in this printed matter is incorrect or incomplete. Holmatro B.V. and its affiliated companies (hereafter: Holmatro) cannot be held liable in any way for the consequences of activities undertaken on the basis of this printed matter. Values can vary within the manufacturer measurements. If you have any doubts about the correctness or completeness of the information, you shall contact Holmatro (T +31 (0)162-751480). Nothing from this printed matter can be copied and/or made public in any way without the explicit authorisation of Holmatro.