

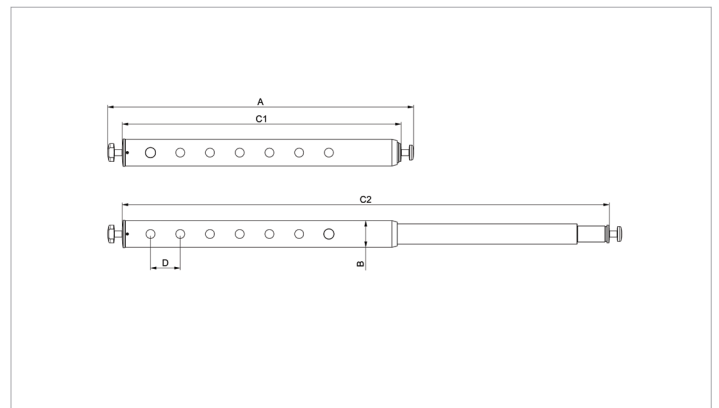
Technical specification sheet

TST 1390-2090 | Traverse Strut

Specifications		
article number		100.002.809
model		TST 1390-2090
short description		Traverse Strut
weight, ready for use	kg	15.0

Technical drawing dimensions		
dimension A	mm	1029
dimension B	mm	90
dimension C1	mm	938
dimension C2	mm	1638
dimension D	mm	100

Standard supplied with	
<ul style="list-style-type: none"> Additional screw thread for final lengths adjustment up to 10 cm 	



[holmatro.com](https://www.holmatro.com)

© Holmatro 2025-10-02

While the greatest care has been devoted to the content, it is possible that the information in this printed matter is incorrect or incomplete. Holmatro B.V. and its affiliated companies (hereafter: Holmatro) cannot be held liable in any way for the consequences of activities undertaken on the basis of this printed matter. Values can vary within the manufacturer measurements. If you have any doubts about the correctness or completeness of the information, you shall contact Holmatro (T +31 (0)162-751480). Nothing from this printed matter can be copied and/or made public in any way without the explicit authorisation of Holmatro.