

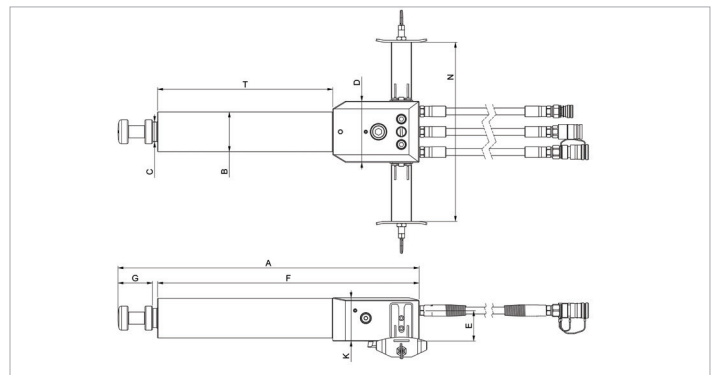
Technical specification sheet

RTC 12 H 23 | Traverse Cylinder

Specifications		
article number		100.002.734
short description		Traverse Cylinder
model		RTC 12 H 23
max. working pressure	psi	7977
tonnage	lb	26455.0
stroke	in	9.1
closed height	in	23.3
capacity (press)	lbf	26527
capacity (retract)	lbf	26527
effective pressure area (press)	sq. in.	5.1
effective pressure area (retract)	sq. in.	3.2
required oil content (press)	oz	25.8
required oil content (retract)	oz	16
return type		hydraulic
material		steel
weight, ready for use	lb	37.5

Technical drawing dimensions		
dimension A	in	23.3
dimension B	in	3.1
dimension C	in	1.6
dimension D	in	4.7
dimension E	in	2.4
dimension F	in	20.3
dimension G	in <td 2.7	
dimension K	in	3.3
dimension N	in	13.8
dimension T	in	13.6

Standard supplied with	
• Quick couplers & dust caps	



holmatro.com

© Holmatro 2025-10-10

While the greatest care has been devoted to the content, it is possible that the information in this printed matter is incorrect or incomplete. Holmatro B.V. and its affiliated companies (hereafter: Holmatro) cannot be held liable in any way for the consequences of activities undertaken on the basis of this printed matter. Values can vary within the manufacturer measurements. If you have any doubts about the correctness or completeness of the information, you shall contact Holmatro (T +31 (0)162-751480). Nothing from this printed matter can be copied and/or made public in any way without the explicit authorisation of Holmatro.