

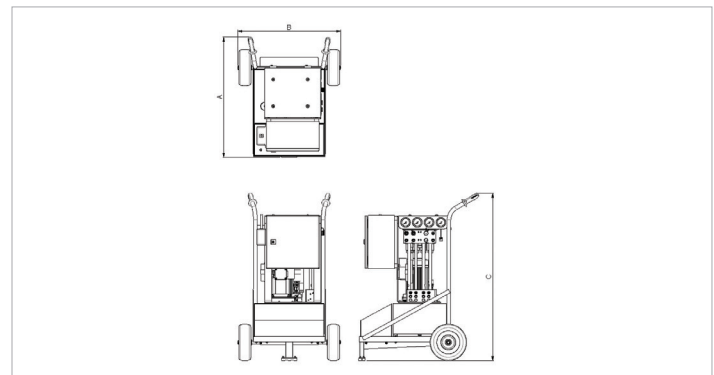
Technical specification sheet

06 Q 25 J + RC | Quattro Pump

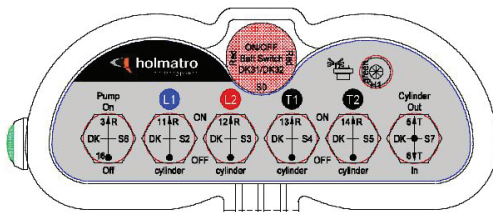
Specifications		
article number		101.002.804
model		06 Q 25 J + RC
max. working pressure	psi	7977
short description		Quattro Pump
capacity oil tank (effective)	oz	845.4
number of outputs		4
number of stages		2
first stage output / min.	oz	54.1
second stage output / min.	oz	20.3
first stage pressure range	psi	0 - 1450
second stage pressure range	psi	1450 - 7977
operator type		electric motor
speed	rpm	3600
weight, ready for use	lb	308.6
dimensions (LxWxH)	in	33.7 x 28.9 x 47

Technical drawing dimensions		
dimension A	in	33.7
dimension B	in	28.9
dimension C	in	47

- Standard supplied with**
- Remote control / AA batteries for back-up
 - With a chargeable battery
 - Quick couplers & dust caps: outlets for traversing.
 - Flat face couplers: dust cap function incorporated: outlets for lifting.



Layout remote control



holmatro.com

© Holmatro 2025-10-01

While the greatest care has been devoted to the content, it is possible that the information in this printed matter is incorrect or incomplete. Holmatro B.V. and its affiliated companies (hereafter: Holmatro) cannot be held liable in any way for the consequences of activities undertaken on the basis of this printed matter. Values can vary within the manufacturer measurements. If you have any doubts about the correctness or completeness of the information, you shall contact Holmatro (T +31 (0)162-751480). Nothing from this printed matter can be copied and/or made public in any way without the explicit authorisation of Holmatro.