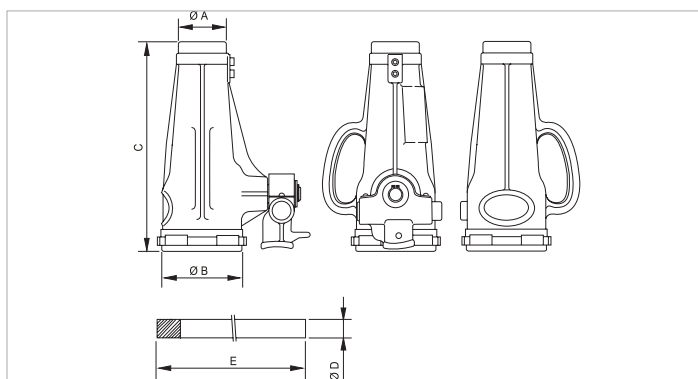


# JJ 1015 | Mechanical jack

Specifications		
article number		200.401.001
model		JJ 1015
short description		Mechanical jack
tonnage	lb	22046.0
stroke	in	5.9
closed height	in	11
capacity	lbf	22054
weight, ready for use	lb	26.5

Technical drawing dimensions		
dimension A	in	2.6
dimension B	in	4.3
dimension C	in	11
dimension D	in	1
dimension E	in	35.4

Standard supplied with	
•	Handle bar



holmatro.com

© Holmatro 2026-01-30

While the greatest care has been devoted to the content, it is possible that the information in this printed matter is incorrect or incomplete. Holmatro B.V. and its affiliated companies (hereafter: Holmatro) cannot be held liable in any way for the consequences of activities undertaken on the basis of this printed matter. Values can vary within the manufacturer measurements. If you have any doubts about the correctness or completeness of the information, you shall contact Holmatro (T +31 (0)162-751480). Nothing from this printed matter can be copied and/or made public in any way without the explicit authorisation of Holmatro.