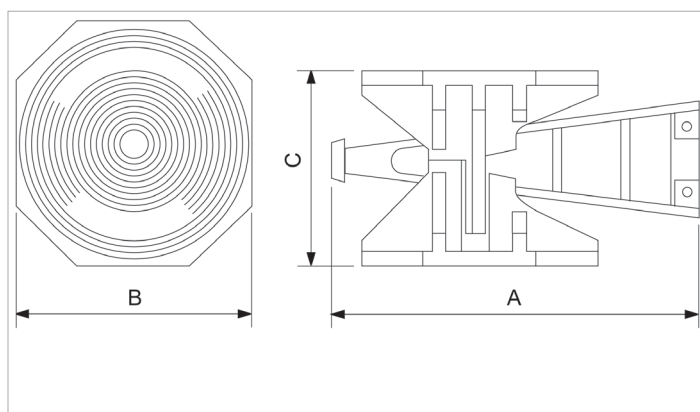


Technical specification sheet

W 50 | Ship Wedge

Specifications		
article number		500.501.050
model		W 50
short description		Ship Wedge
max. height	mm	225
min. height	mm	190
capacity	kN/t	490.5 / 50
weight, ready for use	kg	29.0
dimensions (AxBxC)	mm	390 x 255 x 200



holmatro.com

© Holmatro 2026-01-30

While the greatest care has been devoted to the content, it is possible that the information in this printed matter is incorrect or incomplete. Holmatro B.V. and its affiliated companies (hereafter: Holmatro) cannot be held liable in any way for the consequences of activities undertaken on the basis of this printed matter. Values can vary within the manufacturer measurements. If you have any doubts about the correctness or completeness of the information, you shall contact Holmatro (T +31 (0)162-751480). Nothing from this printed matter can be copied and/or made public in any way without the explicit authorisation of Holmatro.